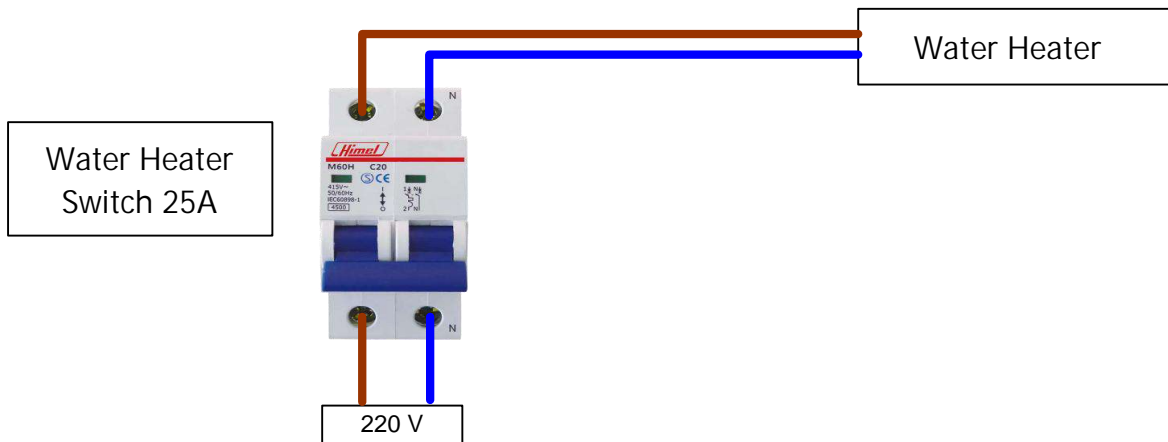


# INSTALLATION INSTRUCTIONS DIGITAL V-TIMER

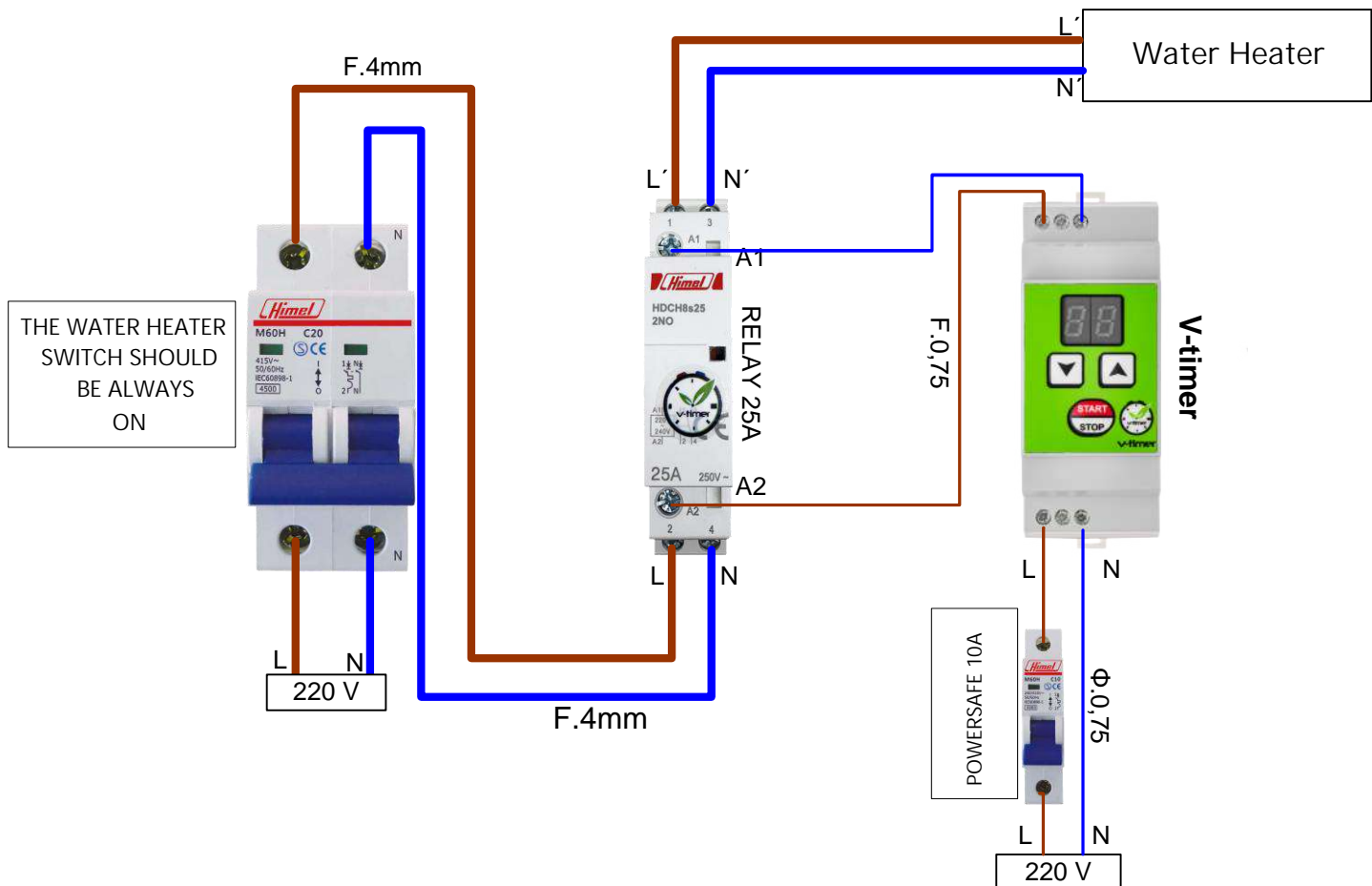
(It is obligatory the V-timer device to be installed by a licensed electrician)

## Current Situation



## V-TIMER WIRING

**Caution:** During the installation you should tighten the cables of the water heater very well in the strong relay in order to avoid scintillations.



**Caution:** In the wiring of the phase and neutral with the strong relay during input and output, the cables must have the same direction.

**The water heater switch should be always ON**

web: <http://www.vtimer.eu> / email: [info@vtimer.eu](mailto:info@vtimer.eu) / τηλ. +30 2616 00 26 26